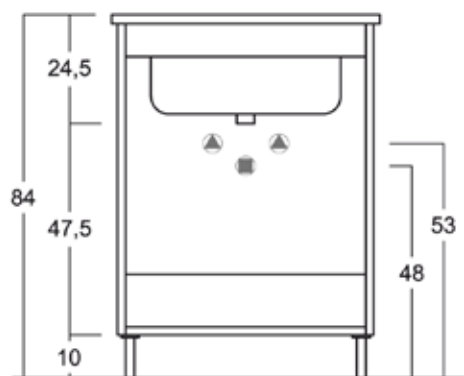


50X50 - 60X50 - 60X60



129X69

