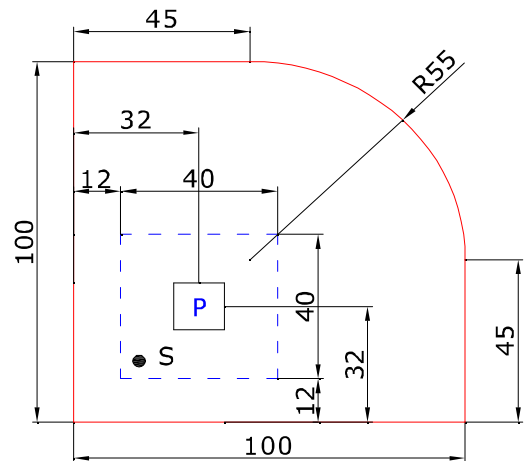
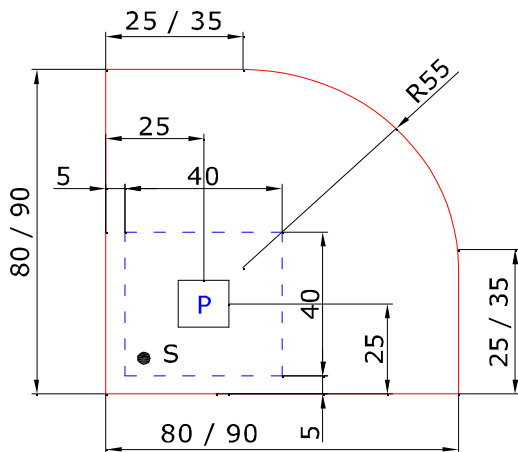


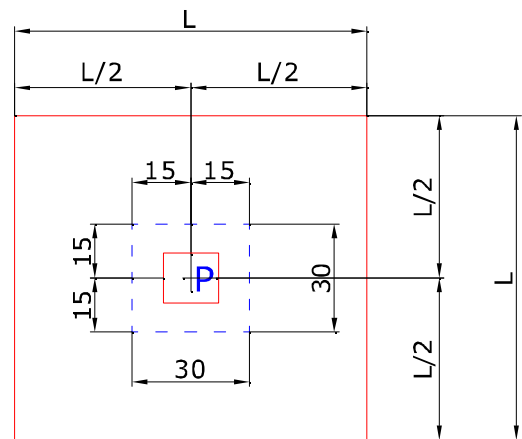
## Preinstallazione piatti doccia Acrilico

### STONDATO



### QUADRATO

80x80: L = 80 cm L/2 = 40 cm  
 90x90: L = 90 cm L/2 = 45 cm  
 100x100: L = 100 cm L/2 = 50 cm



### RETTANGOLARE

80x100cm: La=100 Lb=80 La/2=50 Lb/2=40  
 80x120cm: La=120 Lb=80 La/2=60 Lb/2=40  
 80x140cm: La=140 Lb=80 La/2=70 Lb/2=40  
 72x90cm: La=90 Lb=72 La/2=45 Lb/2=36  
 72x100cm: La=100 Lb=72 La/2=50 Lb/2=36  
 72x120cm: La=120 Lb=72 La/2=60 Lb/2=36  
 72x140cm: La=140 Lb=72 La/2=70 Lb/2=36  
 72x170cm: La=170 Lb=72 La/2=85 Lb/2=36

