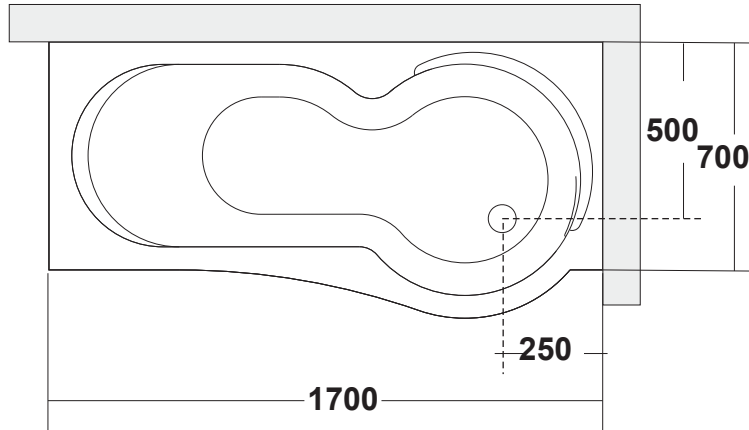
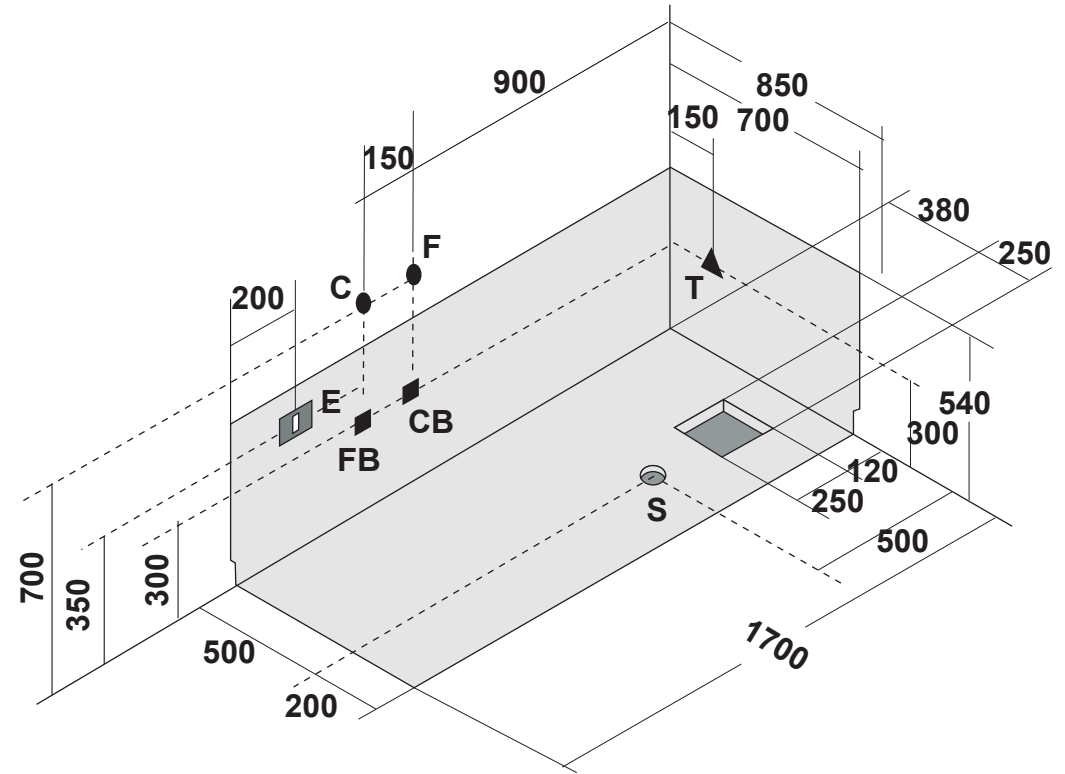
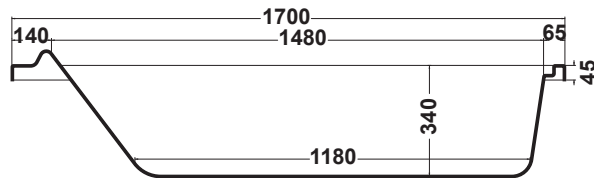


Vista in pianta  
plan view

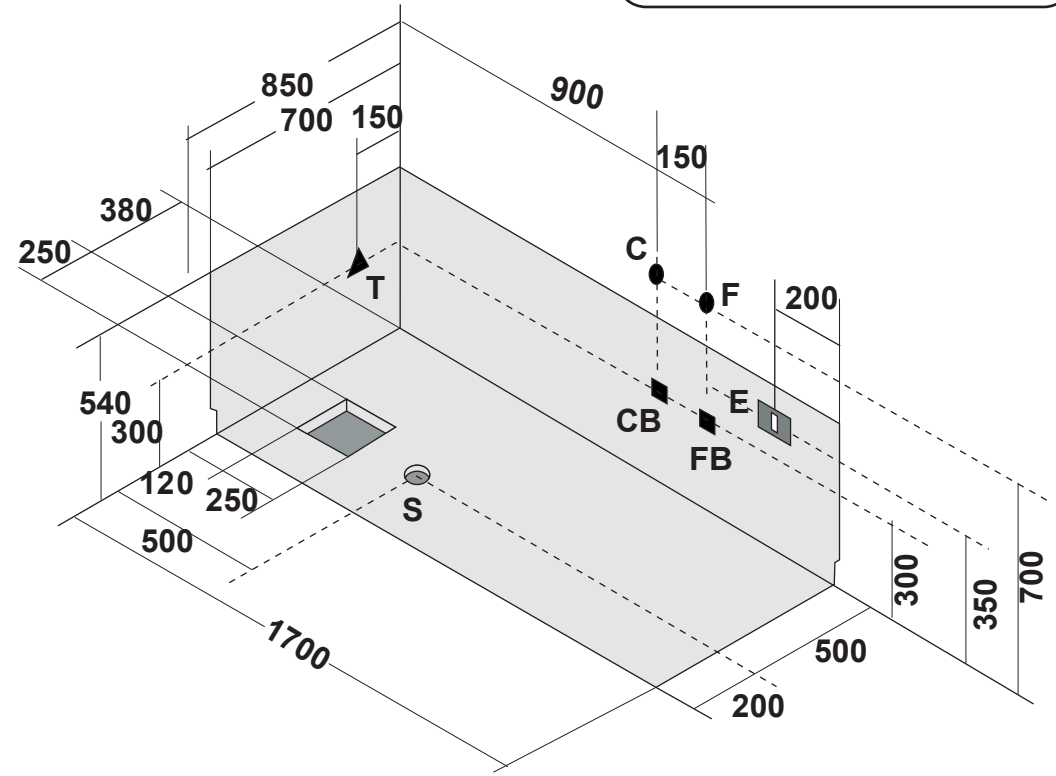
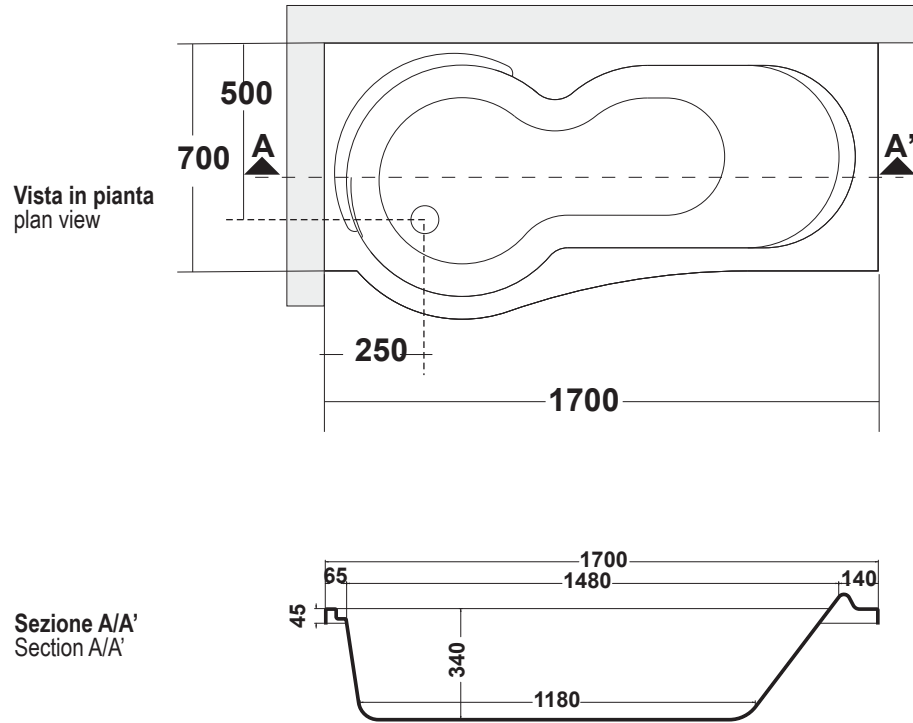


Sezione A/A'  
Section A/A'



Ingombro vasca proiettato nel muro  
Bath overall dimensions as projected on the wall

①	CARATTERISTICHE IDRAULICHE	CARATTERISTICHE ELETTRICHE	REQUISITI DI PREINSTALLAZIONE	COMBINAZIONI RUBINETTERIA								
<p><b>N.B. L'INSTALLAZIONE DEVE AVVENIRE A PAVIMENTO E PARETI FINITE</b></p> <p>Peso netto: <b>Kg 55</b>                      Peso spedizione: <b>Kg 55</b>                      Volume spedizione: <b>m<sup>3</sup> = 0,936</b>                      Contenuto acqua: <b>Lt 130</b></p>	<p>Numero jets: 7</p>	<table border="1"> <tr> <td>V</td> <td>HZ</td> <td>KW</td> <td>A</td> </tr> <tr> <td>220/240</td> <td>50/60</td> <td>0,78</td> <td>4,5</td> </tr> </table>	V	HZ	KW	A	220/240	50/60	0,78	4,5	<p>C : Allaccio acqua calda rubinetteria parete: 1/2"                      F : Allaccio acqua fredda rubinetteria parete: 1/2"                      CB : Allaccio acqua calda bordo vasca: 1/2"                      FB : Allaccio acqua fredda bordo vasca: 1/2"                      T : Allaccio miscelatore per erogazione da troppopieno: 1/2"                      S : Allaccio scarico incassato a pavimento: 1-1/2"                      E : Allaccio elettrico idromassaggio (pressacavo PG 11): IPX5</p>	<p>C F : Rubinetteria parete                      ● ●                      CFT: Rubinetteria parete con erogazione troppopieno                      ● ● ▲                      CB BF: Rubinetteria bordo vasca                      ■ ■</p>
V	HZ	KW	A									
220/240	50/60	0,78	4,5									
GB	WATER SYSTEM SPECIFICATION	POWER SYSTEM SPECIFICATION	CONDITION REQUIRED BEFORE THE INSTALLATION	TAPS COMBINATION								
<p><b>N.B. THE INSTALLATION MUST BE CARRIED OUT WITH FLOOR AND WALLS ALRESDY TILED</b></p> <p>Net weight: <b>Kg 55</b>                      total weight with package: <b>Kg 55</b>                      Volume with package: <b>m<sup>3</sup> = 0,936</b>                      Water capacity: <b>Lt 130</b></p>	<p>Numero jets: 7</p>	<table border="1"> <tr> <td>V</td> <td>HZ</td> <td>KW</td> <td>A</td> </tr> <tr> <td>220/240</td> <td>50/60</td> <td>0,78</td> <td>4,5</td> </tr> </table>	V	HZ	KW	A	220/240	50/60	0,78	4,5	<p>C : Wall taps outlet for hot water: 1/2"                      F : Wall taps outlet for cold water: 1/2"                      CB : Bath edge taps outlet for hot water: 1/2"                      FB : Bath edge taps outlet for cold water: 1/2"                      T : Single outlet for mixed water to supply by overflowing: 1/2"                      S : Drainage outlet installed in the floor: 1-1/2"                      E : Power outlet for the wirpool (cabling press box PG 11): IPX5</p>	<p>C F : Wall taps                      ● ●                      CFT: Wall taps with water supply by overflowing                      ● ● ▲                      CB BF: Bath edge taps                      ■ ■</p>
V	HZ	KW	A									
220/240	50/60	0,78	4,5									



**Ingombro vasca proiettato nel muro**  
Bath overall dimensions as projected on the wall

①	CARATTERISTICHE IDRAULICHE	CARATTERISTICHE ELETTRICHE	REQUISITI DI PREINSTALLAZIONE	COMBINAZIONI RUBINETTERIA								
<p><b>N.B. L'INSTALLAZIONE DEVE AVVENIRE A PAVIMENTO E PARETI FINITE</b></p> <p>Peso netto: <b>Kg 55</b>                      Peso spedizione: <b>Kg 55</b>                      Volume spedizione: <b>m<sup>3</sup> = 0,936</b>                      Contenuto acqua: <b>Lt 130</b></p>	<p>Numero jets: 7</p>	<table border="1"> <tr> <td>V</td> <td>HZ</td> <td>KW</td> <td>A</td> </tr> <tr> <td>220/240</td> <td>50/60</td> <td>0,78</td> <td>4,5</td> </tr> </table>	V	HZ	KW	A	220/240	50/60	0,78	4,5	<p>C : Allaccio acqua calda rubinetteria parete: 1/2"                      F : Allaccio acqua fredda rubinetteria parete: 1/2"                      CB : Allaccio acqua calda bordo vasca: 1/2"                      FB : Allaccio acqua fredda bordo vasca: 1/2"                      T : Allaccio miscelatore per erogazione da troppopieno: 1/2"                      S : Allaccio scarico incassato a pavimento: 1-1/2"                      E : Allaccio elettrico idromassaggio (pressacavo PG 11): IPX5</p>	<p>C F : Rubinetteria parete                      ● ●                      CFT: Rubinetteria parete con erogazione troppopieno                      ● ● ● ●                      CB BF: Rubinetteria bordo vasca                      ■ ■</p>
V	HZ	KW	A									
220/240	50/60	0,78	4,5									
GB	WATER SYSTEM SPECIFICATION	POWER SYSTEM SPECIFICATION	CONDITION REQUIRED BEFORE THE INSTALLATION	TAPS COMBINATION								
<p><b>N.B. THE INSTALLATION MUST BE CARRIED OUT WITH FLOOR AND WALLS ALRESDY TILED</b></p> <p>Net weight: <b>Kg 55</b>                      total weight with package: <b>Kg 55</b>                      Volume with package: <b>m<sup>3</sup> = 0,936</b>                      Water capacity: <b>Lt 130</b></p>	<p>Numero jets: 7</p>	<table border="1"> <tr> <td>V</td> <td>HZ</td> <td>KW</td> <td>A</td> </tr> <tr> <td>220/240</td> <td>50/60</td> <td>0,78</td> <td>4,5</td> </tr> </table>	V	HZ	KW	A	220/240	50/60	0,78	4,5	<p>C : Wall taps outlet for hot water: 1/2"                      F : Wall taps outlet for cold water: 1/2"                      CB : Bath edge taps outlet for hot water: 1/2"                      FB : Bath edge taps outlet for cold water: 1/2"                      T : Single outlet for mixed water to supply by overflowing: 1/2"                      S : Drainage outlet installed in the floor: 1-1/2"                      E : Power outlet for the wirpool (cabling press box PG 11): IPX5</p>	<p>C F : Wall taps                      ● ●                      CFT: Wall taps with water supply by overflowing                      ● ● ● ●                      CB BF: Bath edge taps                      ■ ■</p>
V	HZ	KW	A									
220/240	50/60	0,78	4,5									