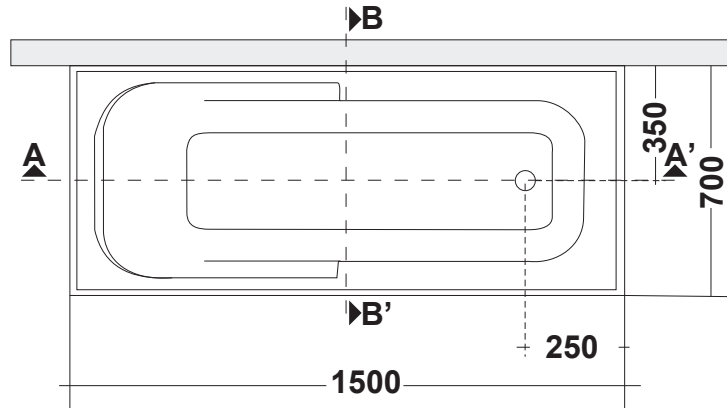


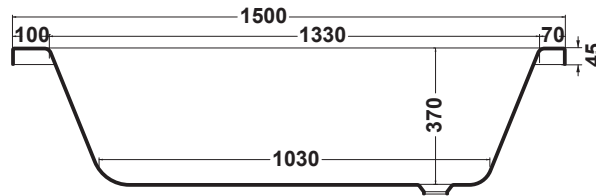
Ingombro vasca proiettato nel muro
Bath overall dimensions as projected on the wall

①	CARATTERISTICHE IDRAULICHE	CARATTERISTICHE ELETTRICHE	REQUISITI DI PREINSTALLAZIONE	COMBINAZIONI RUBINETTERIA								
<p>N.B. L'INSTALLAZIONE DEVE AVVENIRE A PAVIMENTO E PARETI FINITE</p> <p>Peso netto: Kg 45 Peso spedizione: Kg 58 Volume spedizione: m³ = 0,777 Contenuto acqua: Lt 110</p>	<p>Numero jets: 5</p>	<table border="1"> <tr> <td>V</td> <td>HZ</td> <td>KW</td> <td>A</td> </tr> <tr> <td>220/240</td> <td>50/60</td> <td>0,78</td> <td>5</td> </tr> </table>	V	HZ	KW	A	220/240	50/60	0,78	5	<p>C : Allaccio acqua calda rubinetteria parete: 1/2" F : Allaccio acqua fredda rubinetteria parete: 1/2" CB : Allaccio acqua calda bordo vasca: 1/2" FB : Allaccio acqua fredda bordo vasca: 1/2" T : Allaccio miscelatore per erogazione da troppopieno: 1/2" S : Allaccio scarico incassato a pavimento: 1-1/2" E : Allaccio elettrico idromassaggio (pressacavo PG 11): IPX5</p>	<p>C F : Rubinetteria parete ● ● CFT: Rubinetteria parete con erogazione troppopieno ● ● ● ● CB BF: Rubinetteria bordo vasca ■ ■</p>
V	HZ	KW	A									
220/240	50/60	0,78	5									
GB	WATER SYSTEM SPECIFICATION	POWER SYSTEM SPECIFICATION	CONDITION REQUIRED BEFORE THE INSTALLATION	TAPS COMBINATION								
<p>N.B. THE INSTALLATION MUST BE CARRIED OUT WITH FLOOR AND WALLS ALRESDY TILED</p> <p>Net weight: Kg 45 total weight with package: Kg 58 Volume with package: m³ = 0,777 Water capacity: Lt 110</p>	<p>Numero jets: 5</p>	<table border="1"> <tr> <td>V</td> <td>HZ</td> <td>KW</td> <td>A</td> </tr> <tr> <td>220/240</td> <td>50/60</td> <td>0,78</td> <td>5</td> </tr> </table>	V	HZ	KW	A	220/240	50/60	0,78	5	<p>C : Wall taps outlet for hot water: 1/2" F : Wall taps outlet for cold water: 1/2" CB : Bath edge taps outlet for hot water: 1/2" FB : Bath edge taps outlet for cold water: 1/2" T : Single outlet for mixed water to supply by overflowing: 1/2" S : Drainage outlet installed in the floor: 1-1/2" E : Power outlet for the wirpool (cabling press box PG 11): IPX5</p>	<p>C F : Wall taps ● ● CFT: Wall taps with water supply by overflowing ● ● ● ● CB BF: Bath edge taps ■ ■</p>
V	HZ	KW	A									
220/240	50/60	0,78	5									

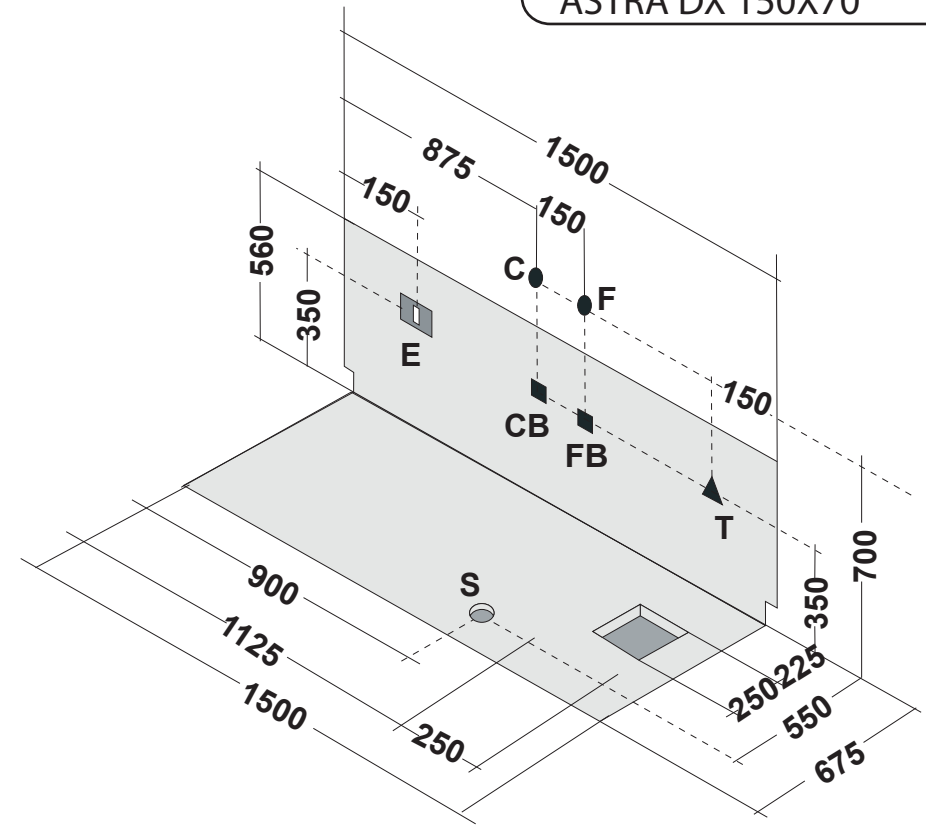
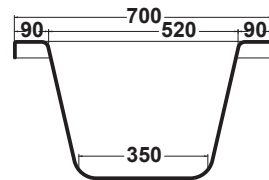
Vista in pianta
plan view



Sezione A/A'
Section A/A'

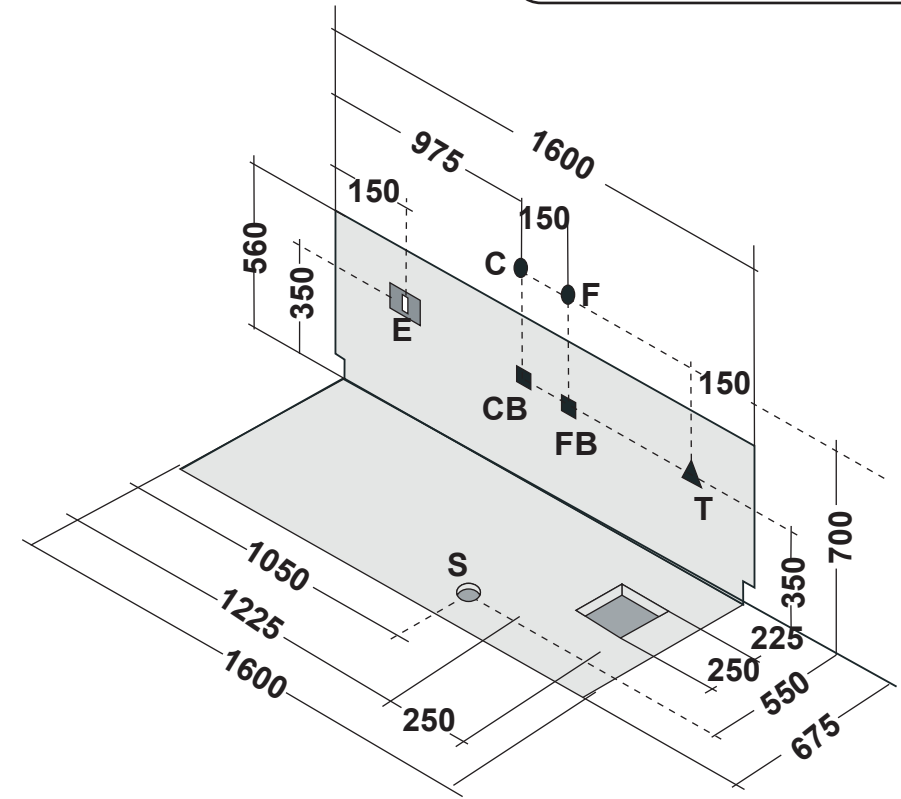
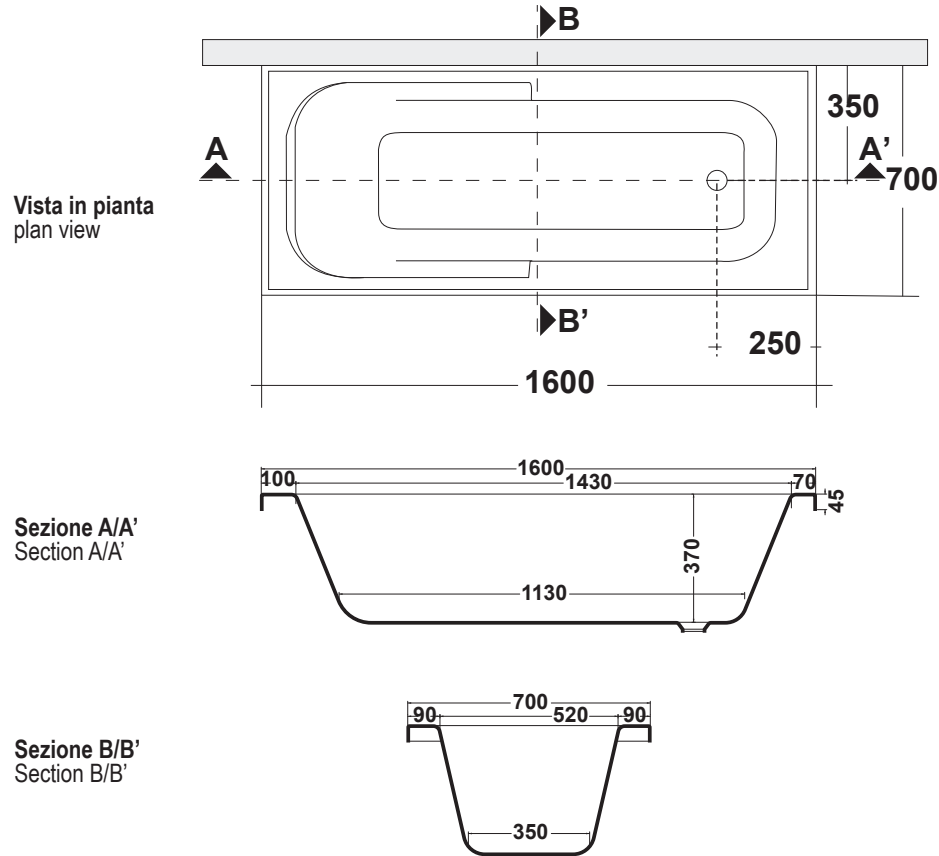


Sezione B/B'
Section B/B'



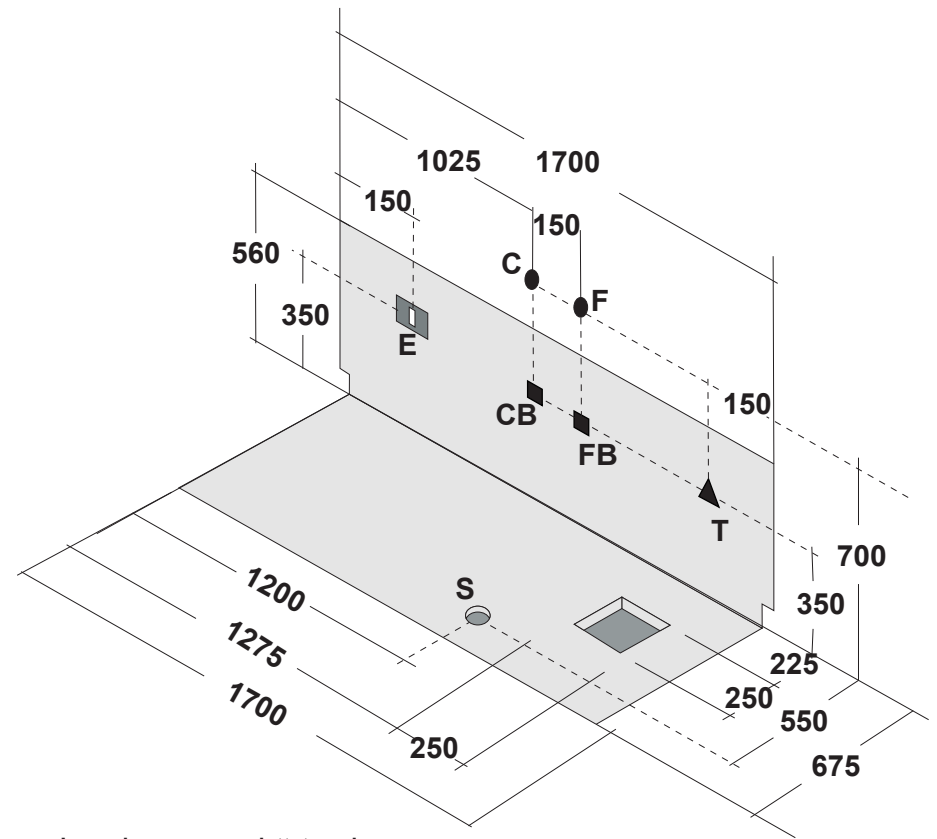
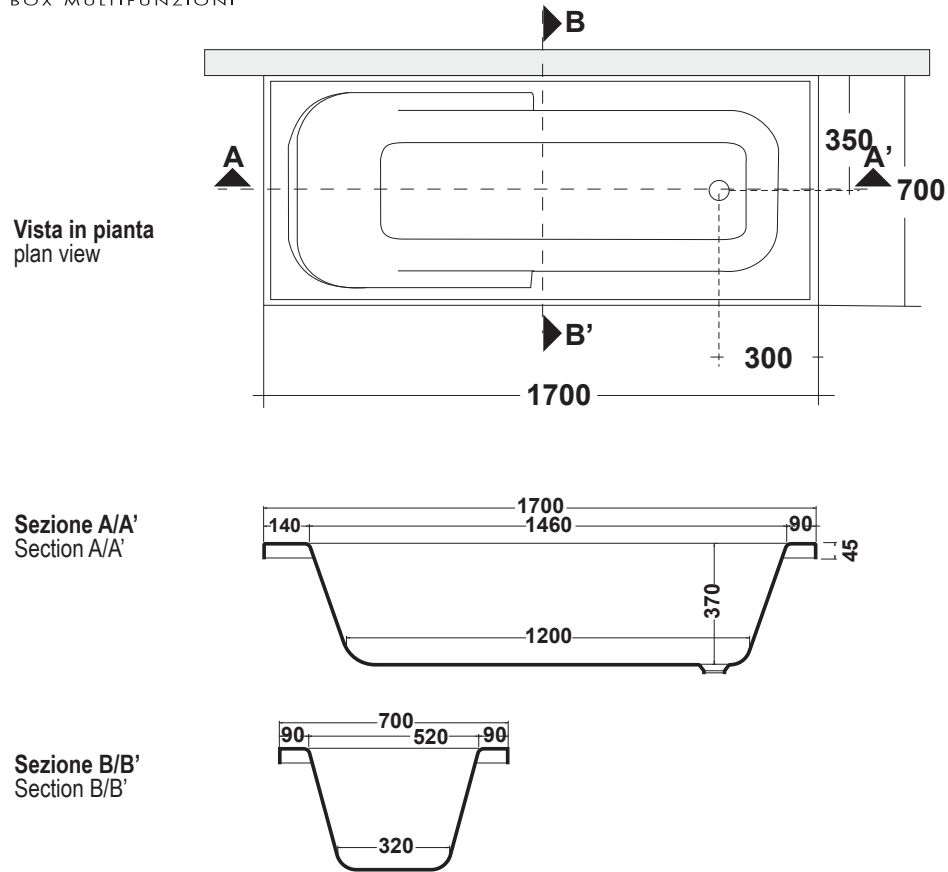
Ingombro vasca proiettato nel muro
Bath overall dimensions as projected on the wall

①	CARATTERISTICHE IDRAULICHE	CARATTERISTICHE ELETTRICHE	REQUISITI DI PREINSTALLAZIONE	COMBINAZIONI RUBINETTERIA
<p><i>N.B. L'INSTALLAZIONE DEVE AVVENIRE A PAVIMENTO E PARETI FINITE</i></p> <p>Peso netto: Kg 46 Peso spedizione: Kg 59 Volume spedizione: m³ = 0,832 Contenuto acqua: Lt 110</p>	<p>Numero jets: 5</p>	<p>V HZ KW A 220/240 50/60 0,78 5</p>	<p>C : Allaccio acqua calda rubinetteria parete: 1/2" F : Allaccio acqua fredda rubinetteria parete: 1/2" CB : Allaccio acqua calda bordo vasca: 1/2" FB : Allaccio acqua fredda bordo vasca: 1/2" T : Allaccio miscelatore per erogazione da troppopieno: 1/2" S : Allaccio scarico incassato a pavimento: 1-1/2" E : Allaccio elettrico idromassaggio (pressacavo PG 11): IPX5</p>	<p>C F : Rubinetteria parete ● ● CFT: Rubinetteria parete con erogazione troppopieno ● ● ▲ CB BF: Rubinetteria bordo vasca ■ ■</p>
GB	WATER SYSTEM SPECIFICATION	POWER SYSTEM SPECIFICATION	CONDITION REQUIRED BEFORE THE INSTALLATION	TAPS COMBINATION
<p><i>N.B. THE INSTALLATION MUST BE CARRIED OUT WITH FLOOR AND WALLS ALRESDY TILED</i></p> <p>Net weight: Kg 46 total weight with package: Kg 59 Volume with package: m³ = 0,832 Water capacity: Lt 110</p>	<p>Numero jets: 5</p>	<p>V HZ KW A 220/240 50/60 0,78 5</p>	<p>C : Wall taps outlet for hot water: 1/2" F : Wall taps outlet for cold water: 1/2" CB : Bath edge taps outlet for hot water: 1/2" FB : Bath edge taps outlet for cold water: 1/2" T : Single outlet for mixed water to supply by overflowing: 1/2" S : Drainage outlet installed in the floor: 1-1/2" E : Power outlet for the wirpool (cabling press box PG 11): IPX5</p>	<p>C F : Wall taps ● ● CFT: Wall taps with water supply by overflowing ● ● ▲ CB BF: Bath edge taps ■ ■</p>



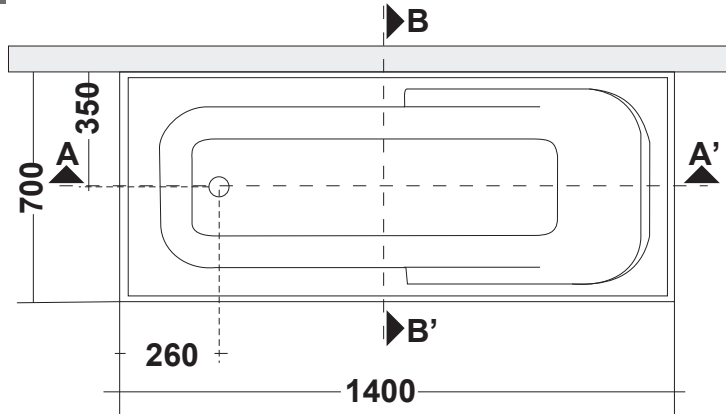
Ingombro vasca proiettato nel muro
Bath overall dimensions as projected on the wall

①	CARATTERISTICHE IDRAULICHE	CARATTERISTICHE ELETTRICHE	REQUISITI DI PREINSTALLAZIONE	COMBINAZIONI RUBINETTERIA								
<p>N.B. L'INSTALLAZIONE DEVE AVVENIRE A PAVIMENTO E PARETI FINITE</p> <p>Peso netto: Kg 47 Peso spedizione: Kg 61 Volume spedizione: m³ = 0,890 Contenuto acqua: Lt 120</p>	<p>Numero jets: 6</p>	<table border="1"> <tr> <td>V</td> <td>HZ</td> <td>KW</td> <td>A</td> </tr> <tr> <td>220/240</td> <td>50/60</td> <td>0,78</td> <td>4,1/3,9</td> </tr> </table>	V	HZ	KW	A	220/240	50/60	0,78	4,1/3,9	<p>C : Allaccio acqua calda rubinetteria parete: 1/2" F : Allaccio acqua fredda rubinetteria parete: 1/2" CB : Allaccio acqua calda bordo vasca: 1/2" FB : Allaccio acqua fredda bordo vasca: 1/2" T : Allaccio miscelatore per erogazione da troppopieno: 1/2" S : Allaccio scarico incassato a pavimento: 1-1/2" E : Allaccio elettrico idromassaggio (pressacavo PG 11): IPX5</p>	<p>C F : Rubinetteria parete ● ● CFT: Rubinetteria parete con erogazione troppopieno ● ● ▲ CB FB: Rubinetteria bordo vasca ■ ■</p>
V	HZ	KW	A									
220/240	50/60	0,78	4,1/3,9									
Ⓒ	WATER SYSTEM SPECIFICATION	POWER SYSTEM SPECIFICATION	CONDITION REQUIRED BEFORE THE INSTALLATION	TAPS COMBINATION								
<p>N.B. THE INSTALLATION MUST BE CARRIED OUT WITH FLOOR AND WALLS ALRESDY TILED</p> <p>Net weight: Kg 47 total weight with package: Kg 61 Volume with package: m³ = 0,890 Water capacity: Lt 120</p>	<p>Numero jets: 6</p>	<table border="1"> <tr> <td>V</td> <td>HZ</td> <td>KW</td> <td>A</td> </tr> <tr> <td>220/240</td> <td>50/60</td> <td>0,78</td> <td>4,1/3,9</td> </tr> </table>	V	HZ	KW	A	220/240	50/60	0,78	4,1/3,9	<p>C : Wall taps outlet for hot water: 1/2" F : Wall taps outlet for cold water: 1/2" CB : Bath edge taps outlet for hot water: 1/2" FB : Bath edge taps outlet for cold water: 1/2" T : Single outlet for mixed water to supply by overflowing: 1/2" S : Drainage outlet installed in the floor: 1-1/2" E : Power outlet for the whirlpool (cabling press box PG 11): IPX5</p>	<p>C F : Wall taps ● ● CFT: Wall taps with water supply by overflowing ● ● ▲ CB FB: Bath edge taps ■ ■</p>
V	HZ	KW	A									
220/240	50/60	0,78	4,1/3,9									

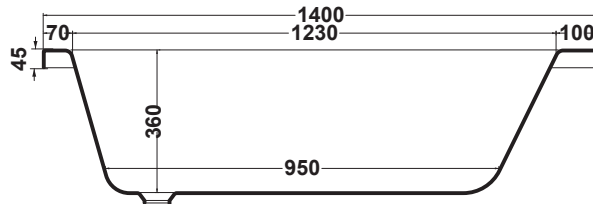


①	CARATTERISTICHE IDRAULICHE	CARATTERISTICHE ELETTRICHE	REQUISITI DI PREINSTALLAZIONE	COMBINAZIONI RUBINETTERIA								
<p><i>N.B. L'INSTALLAZIONE DEVE AVVENIRE A PAVIMENTO E PARETI FINITE</i></p> <p>Peso netto: Kg 55 Peso spedizione: Kg 62 Volume spedizione: m³ = 0,936 Contenuto acqua: Lt 130</p>	<p>Numero jets: 6</p>	<table border="1"> <tr> <td>V</td> <td>HZ</td> <td>KW</td> <td>A</td> </tr> <tr> <td>220/240</td> <td>50/60</td> <td>0,78</td> <td>4,5</td> </tr> </table>	V	HZ	KW	A	220/240	50/60	0,78	4,5	<p>C : Allaccio acqua calda rubinetteria parete: 1/2" F : Allaccio acqua fredda rubinetteria parete: 1/2" CB : Allaccio acqua calda bordo vasca: 1/2" FB : Allaccio acqua fredda bordo vasca: 1/2" T : Allaccio miscelatore per erogazione da troppopieno: 1/2" S : Allaccio scarico incassato a pavimento: 1-1/2" E : Allaccio elettrico idromassaggio (pressacavo PG 11): IPX5</p>	<p>C F : Rubinetteria parete ● ● CFT: Rubinetteria parete con erogazione troppopieno ● ● ▲ CB FB: Rubinetteria bordo vasca ■ ■</p>
V	HZ	KW	A									
220/240	50/60	0,78	4,5									
GB	WATER SYSTEM SPECIFICATION	POWER SYSTEM SPECIFICATION	CONDITION REQUIRED BEFORE THE INSTALLATION	TAPS COMBINATION								
<p><i>N.B. THE INSTALLATION MUST BE CARRIED OUT WITH FLOOR AND WALLS ALRESDY TILED</i></p> <p>Net weight: Kg 55 total weight with package: Kg 62 Volume with package: m³ = 0,936 Water capacity: Lt 130</p>	<p>Numero jets: 6</p>	<table border="1"> <tr> <td>V</td> <td>HZ</td> <td>KW</td> <td>A</td> </tr> <tr> <td>220/240</td> <td>50/60</td> <td>0,78</td> <td>4,5</td> </tr> </table>	V	HZ	KW	A	220/240	50/60	0,78	4,5	<p>C : Wall taps outlet for hot water: 1/2" F : Wall taps outlet for cold water: 1/2" CB : Bath edge taps outlet for hot water: 1/2" FB : Bath edge taps outlet for cold water: 1/2" T : Single outlet for mixed water to supply by overflowing: 1/2" S : Drainage outlet installed in the floor: 1-1/2" E : Power outlet for the wirpool (cabling press box PG 11): IPX5</p>	<p>C F : Wall taps ● ● CFT: Wall taps with water supply by overflowing ● ● ▲ CB FB: Bath edge taps ■ ■</p>
V	HZ	KW	A									
220/240	50/60	0,78	4,5									

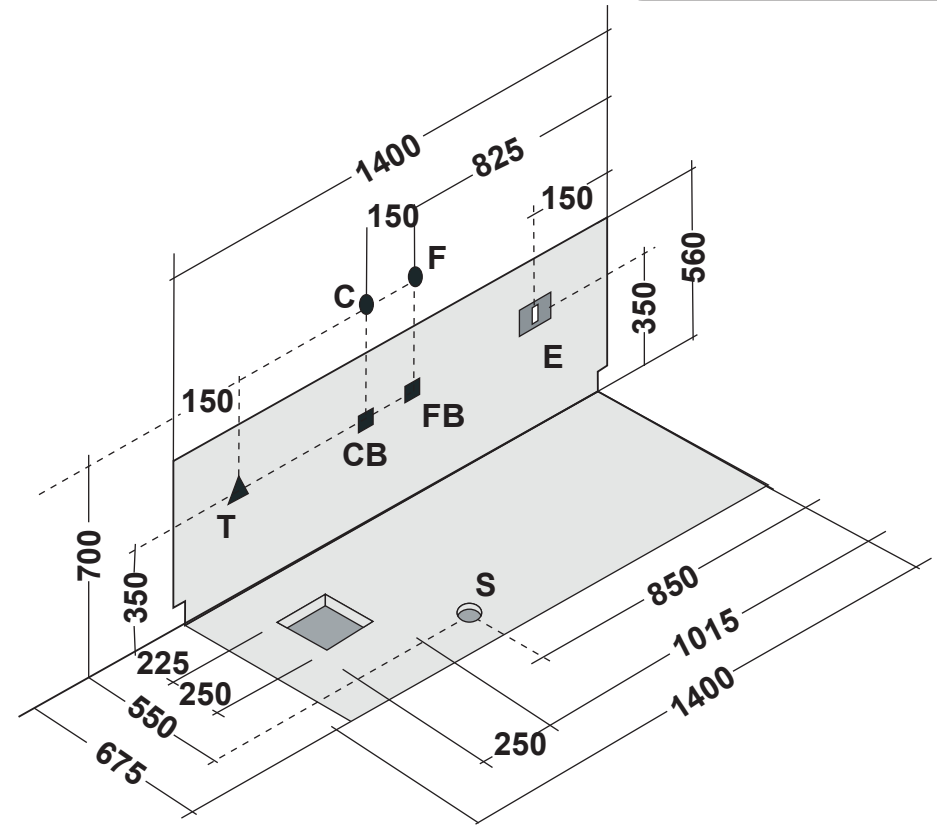
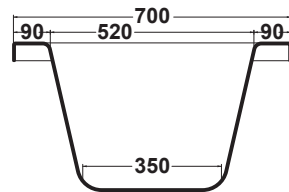
Vista in pianta
plan view



Sezione A/A'
Section A/A'

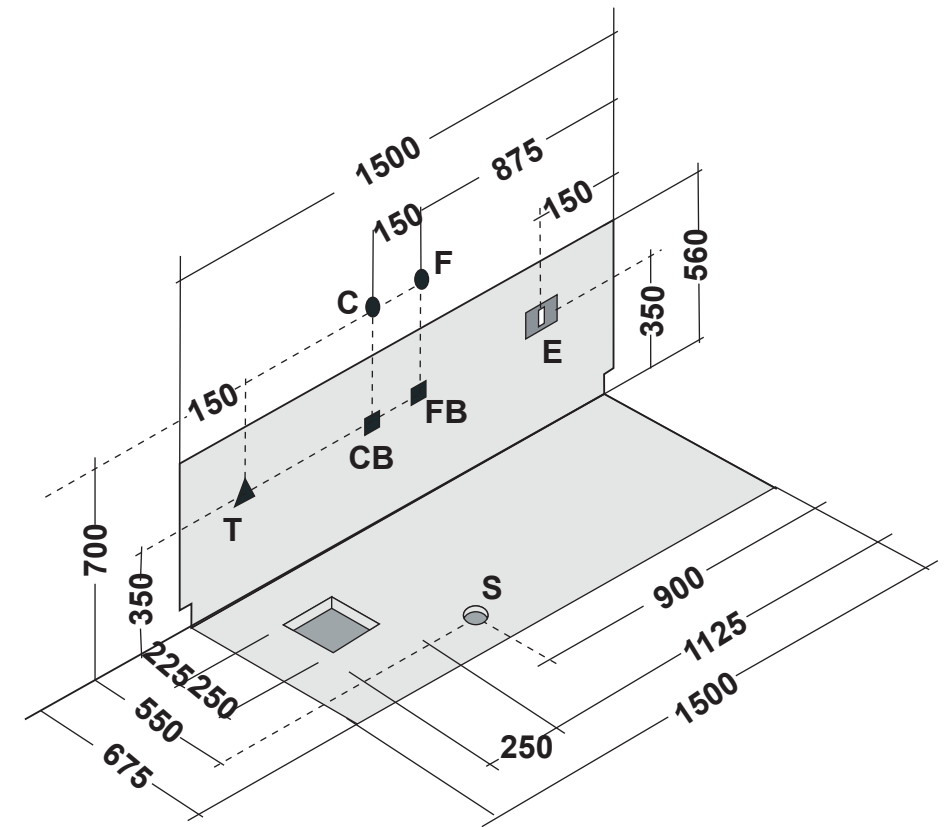
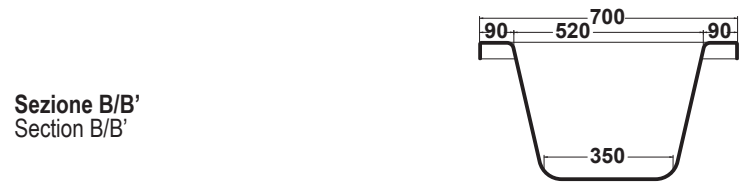
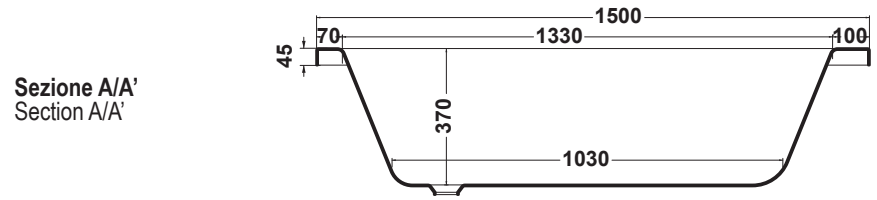
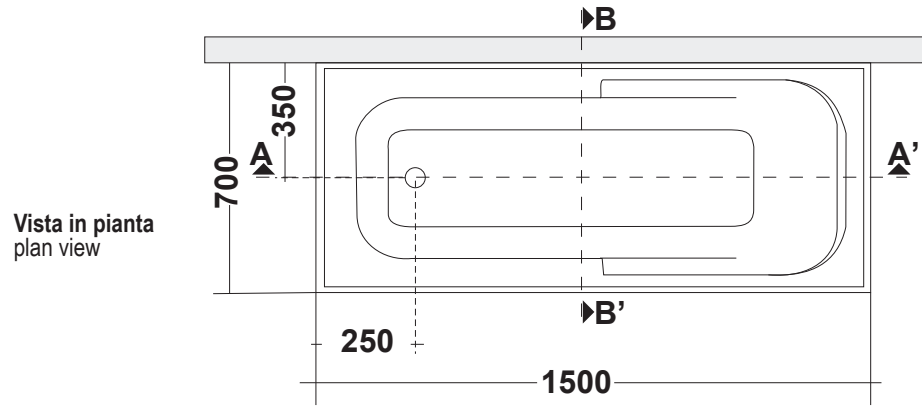


Sezione B/B'
Section B/B'



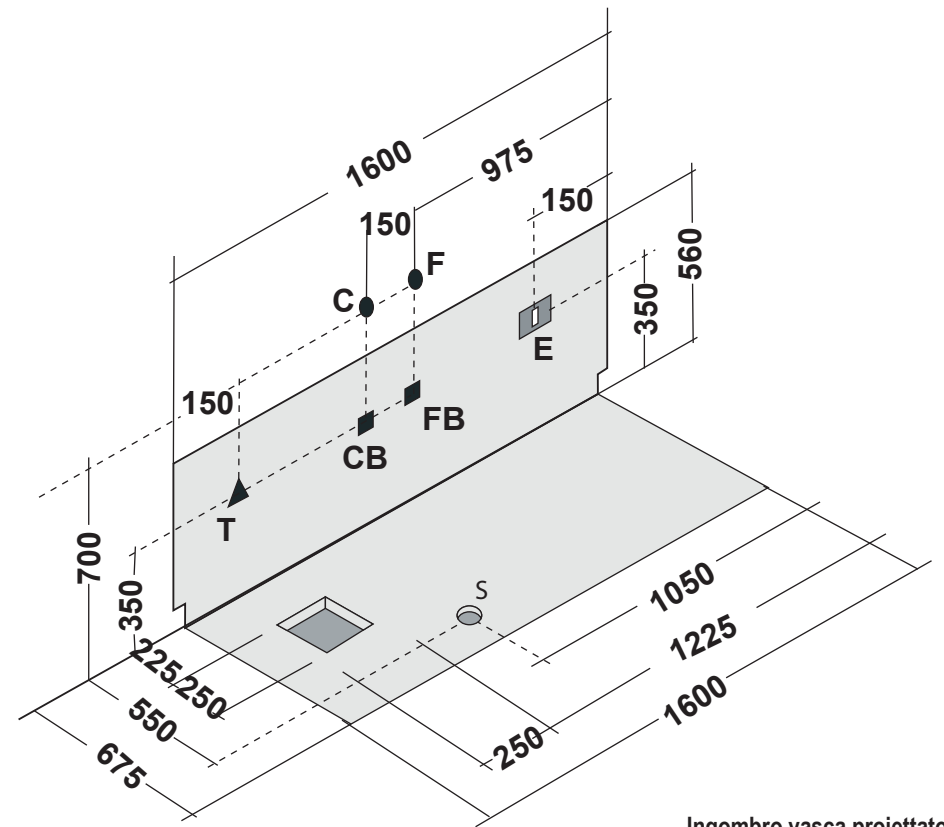
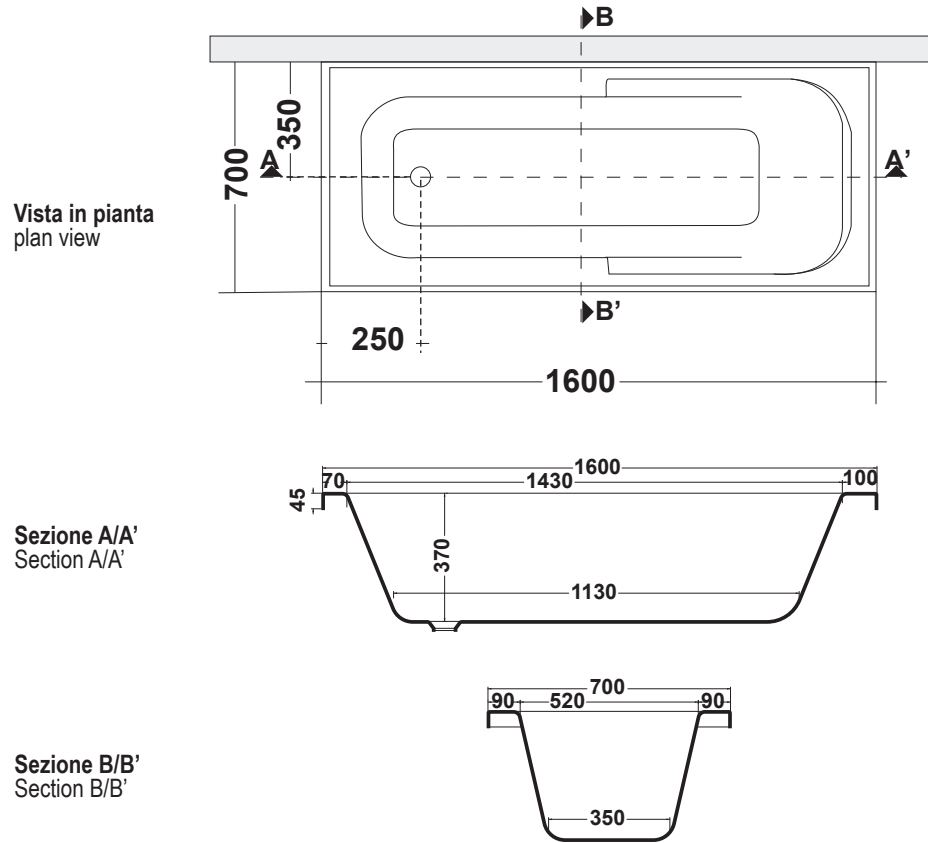
Ingombro vasca proiettato nel muro
Bath overall dimensions as projected on the wall

①	CARATTERISTICHE IDRAULICHE	CARATTERISTICHE ELETTRICHE	REQUISITI DI PREINSTALLAZIONE	COMBINAZIONI RUBINETTERIA								
<p>N.B. L'INSTALLAZIONE DEVE AVVENIRE A PAVIMENTO E PARETI FINITE</p> <p>Peso netto: Kg 45 Peso spedizione: Kg 58 Volume spedizione: m³ = 0,777 Contenuto acqua: Lt 110</p>	<p>Numero jets: 5</p>	<table border="1"> <tr> <td>V</td> <td>HZ</td> <td>KW</td> <td>A</td> </tr> <tr> <td>220/240</td> <td>50/60</td> <td>0,78</td> <td>5</td> </tr> </table>	V	HZ	KW	A	220/240	50/60	0,78	5	<p>C : Allaccio acqua calda rubinetteria parete: 1/2" F : Allaccio acqua fredda rubinetteria parete: 1/2" CB : Allaccio acqua calda bordo vasca: 1/2" FB : Allaccio acqua fredda bordo vasca: 1/2" T : Allaccio miscelatore per erogazione da troppopieno: 1/2" S : Allaccio scarico incassato a pavimento: 1-1/2" E : Allaccio elettrico idromassaggio (pressacavo PG 11): IPX5</p>	<p>C F : Rubinetteria parete ● ● CFT: Rubinetteria parete con erogazione troppopieno ● ● ▲ CB FB: Rubinetteria bordo vasca ■ ■</p>
V	HZ	KW	A									
220/240	50/60	0,78	5									
GB	WATER SYSTEM SPECIFICATION	POWER SYSTEM SPECIFICATION	CONDITION REQUIRED BEFORE THE INSTALLATION	TAPS COMBINATION								
<p>N.B. THE INSTALLATION MUST BE CARRIED OUT WITH FLOOR AND WALLS ALRESDY TILED</p> <p>Net weight: Kg 45 total weight with package: Kg 58 Volume with package: m³ = 0,777 Water capacity: Lt 110</p>	<p>Numero jets: 5</p>	<table border="1"> <tr> <td>V</td> <td>HZ</td> <td>KW</td> <td>A</td> </tr> <tr> <td>220/240</td> <td>50/60</td> <td>0,78</td> <td>5</td> </tr> </table>	V	HZ	KW	A	220/240	50/60	0,78	5	<p>C : Wall taps outlet for hot water: 1/2" F : Wall taps outlet for cold water: 1/2" CB : Bath edge taps outlet for hot water: 1/2" FB : Bath edge taps outlet for cold water: 1/2" T : Single outlet for mixed water to supply by overflowing: 1/2" S : Drainage outlet installed in the floor: 1-1/2" E : Power outlet for the wirpool (cabling press box PG 11): IPX5</p>	<p>C F : Wall taps ● ● CFT: Wall taps with water supply by overflowing ● ● ▲ CB FB: Bath edge taps ■ ■</p>
V	HZ	KW	A									
220/240	50/60	0,78	5									



Ingombro vasca proiettato nel muro
Bath overall dimensions as projected on the wall

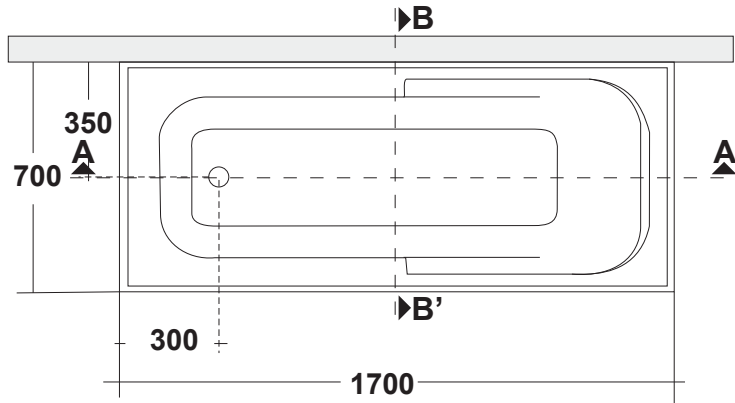
①	CARATTERISTICHE IDRAULICHE	CARATTERISTICHE ELETTRICHE	REQUISITI DI PREINSTALLAZIONE	COMBINAZIONI RUBINETTERIA
<p><i>N.B. L'INSTALLAZIONE DEVE AVVENIRE A PAVIMENTO E PARETI FINITE</i></p> <p>Peso netto: Kg 46 Peso spedizione: Kg 59 Volume spedizione: m³ = 0,832 Contenuto acqua: Lt 110</p>	<p>Numero jets: 5</p>	<p>V HZ KW A 220/240 50/60 0,78 5</p>	<p>C : Allaccio acqua calda rubinetteria parete: 1/2" F : Allaccio acqua fredda rubinetteria parete: 1/2" CB : Allaccio acqua calda bordo vasca: 1/2" FB : Allaccio acqua fredda bordo vasca: 1/2" T : Allaccio miscelatore per erogazione da troppopieno: 1/2" S : Allaccio scarico incassato a pavimento: 1-1/2" E : Allaccio elettrico idromassaggio (pressacavo PG 11): IPX5</p>	<p>C F : Rubinetteria parete ● ● CFT: Rubinetteria parete con erogazione troppopieno ● ● ▲ CB FB: Rubinetteria bordo vasca ■ ■</p>
GB	WATER SYSTEM SPECIFICATION	POWER SYSTEM SPECIFICATION	CONDITION REQUIRED BEFORE THE INSTALLATION	TAPS COMBINATION
<p><i>N.B. THE INSTALLATION MUST BE CARRIED OUT WITH FLOOR AND WALLS ALRESDY TILED</i></p> <p>Net weight: Kg 46 total weight with package: Kg 59 Volume with package: m³ = 0,832 Water capacity: Lt 110</p>	<p>Numero jets: 5</p>	<p>V HZ KW A 220/240 50/60 0,78 5</p>	<p>C : Wall taps outlet for hot water: 1/2" F : Wall taps outlet for cold water: 1/2" CB : Bath edge taps outlet for hot water: 1/2" FB : Bath edge taps outlet for cold water: 1/2" T : Single outlet for mixed water to supply by overflowing: 1/2" S : Drainage outlet installed in the floor: 1-1/2" E : Power outlet for the wirpool (cabling press box PG 11): IPX5</p>	<p>C F : Wall taps ● ● CFT: Wall taps with water supply by overflowing ● ● ▲ CB FB: Bath edge taps ■ ■</p>



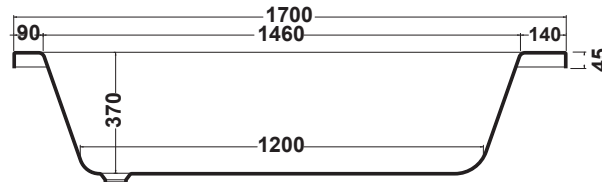
Ingombro vasca proiettato nel muro
Bath overall dimensions as projected on the wall

①	CARATTERISTICHE IDRAULICHE	CARATTERISTICHE ELETTRICHE	REQUISITI DI PREINSTALLAZIONE	COMBINAZIONI RUBINETTERIA																				
<p>N.B. L'INSTALLAZIONE DEVE AVVENIRE A PAVIMENTO E PARETI FINITE</p> <p>Peso netto: Kg 47 Peso spedizione: Kg 61 Volume spedizione: m³ = 0,890 Contenuto acqua: Lt 120</p>	<p>Numero jets: 6</p>	<table border="1"> <tr> <td>V</td> <td>HZ</td> <td>KW</td> <td>A</td> </tr> <tr> <td>220/240</td> <td>50/60</td> <td>0,78</td> <td>4,1/3,9</td> </tr> </table>	V	HZ	KW	A	220/240	50/60	0,78	4,1/3,9	<p>C : Allaccio acqua calda rubinetteria parete: F : Allaccio acqua fredda rubinetteria parete: CB : Allaccio acqua calda bordo vasca: FB : Allaccio acqua fredda bordo vasca: T : Allaccio miscelatore per erogazione da troppopieno: S : Allaccio scarico incassato a pavimento: E : Allaccio elettrico idromassaggio (pressacavo PG 11):</p>	<table border="1"> <tr> <td>1/2"</td> <td rowspan="2">● ● :</td> <td rowspan="2">Rubinetteria parete</td> </tr> <tr> <td>1/2"</td> </tr> <tr> <td>1/2"</td> <td rowspan="2">● ● ▲ :</td> <td rowspan="2">Rubinetteria parete con erogazione troppopieno</td> </tr> <tr> <td>1/2"</td> </tr> <tr> <td>1-1/2"</td> <td rowspan="2">■ ■ :</td> <td rowspan="2">Rubinetteria bordo vasca</td> </tr> <tr> <td>IPX5</td> </tr> </table>	1/2"	● ● :	Rubinetteria parete	1/2"	1/2"	● ● ▲ :	Rubinetteria parete con erogazione troppopieno	1/2"	1-1/2"	■ ■ :	Rubinetteria bordo vasca	IPX5
V	HZ	KW	A																					
220/240	50/60	0,78	4,1/3,9																					
1/2"	● ● :	Rubinetteria parete																						
1/2"																								
1/2"	● ● ▲ :	Rubinetteria parete con erogazione troppopieno																						
1/2"																								
1-1/2"	■ ■ :	Rubinetteria bordo vasca																						
IPX5																								
GB	WATER SYSTEM SPECIFICATION	POWER SYSTEM SPECIFICATION	CONDITION REQUIRED BEFORE THE INSTALLATION	TAPS COMBINATION																				
<p>N.B. THE INSTALLATION MUST BE CARRIED OUT WITH FLOOR AND WALLS ALRESDY TILED</p> <p>Net weight: Kg 63 total weight with package: Kg 61 Volume with package: m³ = 0,890 Water capacity: Lt 120</p>	<p>Numero jets: 6</p>	<table border="1"> <tr> <td>V</td> <td>HZ</td> <td>KW</td> <td>A</td> </tr> <tr> <td>220/240</td> <td>50/60</td> <td>0,78</td> <td>4,1/3,9</td> </tr> </table>	V	HZ	KW	A	220/240	50/60	0,78	4,1/3,9	<p>C : Wall taps outlet for hot water: F : Wall taps outlet for cold water: CB : Bath edge taps outlet for hot water: FB : Bath edge taps outlet for cold water: T : Single outlet for mixed water to supply by overflowing: S : Drainage outlet installed in the floor: E : Power outlet for the wirpool (cabling press box PG 11):</p>	<table border="1"> <tr> <td>1/2"</td> <td rowspan="2">● ● :</td> <td rowspan="2">Wall taps</td> </tr> <tr> <td>1/2"</td> </tr> <tr> <td>1/2"</td> <td rowspan="2">● ● ▲ :</td> <td rowspan="2">Wall taps with water supply by overflowing</td> </tr> <tr> <td>1/2"</td> </tr> <tr> <td>1-1/2"</td> <td rowspan="2">■ ■ :</td> <td rowspan="2">Bath edge taps</td> </tr> <tr> <td>IPX5</td> </tr> </table>	1/2"	● ● :	Wall taps	1/2"	1/2"	● ● ▲ :	Wall taps with water supply by overflowing	1/2"	1-1/2"	■ ■ :	Bath edge taps	IPX5
V	HZ	KW	A																					
220/240	50/60	0,78	4,1/3,9																					
1/2"	● ● :	Wall taps																						
1/2"																								
1/2"	● ● ▲ :	Wall taps with water supply by overflowing																						
1/2"																								
1-1/2"	■ ■ :	Bath edge taps																						
IPX5																								

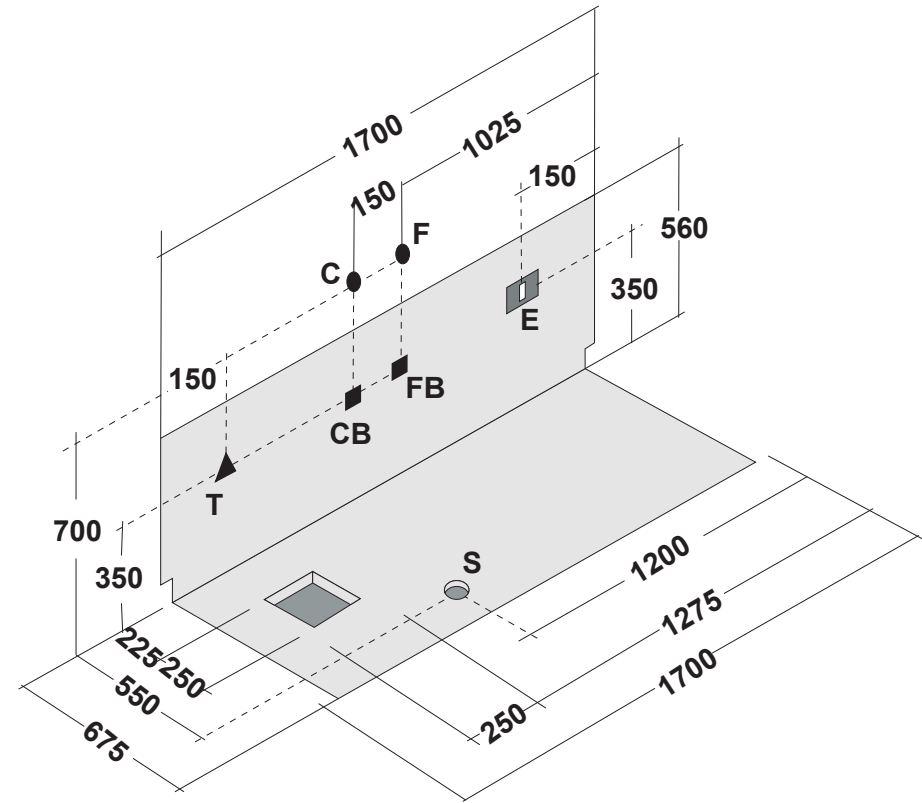
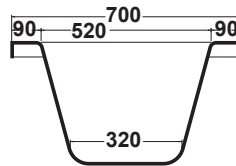
Vista in pianta
plan view



Sezione A/A'
Section A/A'



Sezione B/B'
Section B/B'



Ingombro vasca proiettato nel muro
Bath overall dimensions as projected on the wall

①	CARATTERISTICHE IDRAULICHE	CARATTERISTICHE ELETTRICHE	REQUISITI DI PREINSTALLAZIONE	COMBINAZIONI RUBINETTERIA								
<p>N.B. L'INSTALLAZIONE DEVE AVVENIRE A PAVIMENTO E PARETI FINITE</p> <p>Peso netto: Kg 55 Peso spedizione: Kg 62 Volume spedizione: m³ = 0,936 Contenuto acqua: Lt 130</p>	<p>Numero jets: 6</p>	<table border="1"> <tr> <td>V</td> <td>HZ</td> <td>KW</td> <td>A</td> </tr> <tr> <td>220/240</td> <td>50/60</td> <td>0,78</td> <td>4,5</td> </tr> </table>	V	HZ	KW	A	220/240	50/60	0,78	4,5	<p>C : Allaccio acqua calda rubinetteria parete: 1/2" F : Allaccio acqua fredda rubinetteria parete: 1/2" CB : Allaccio acqua calda bordo vasca: 1/2" FB : Allaccio acqua fredda bordo vasca: 1/2" T : Allaccio miscelatore per erogazione da troppopieno: 1/2" S : Allaccio scarico incassato a pavimento: 1-1/2" E : Allaccio elettrico idromassaggio (pressacavo PG 11): IPX5</p>	<p>C F : Rubinetteria parete ● ● CFT: Rubinetteria parete con erogazione troppopieno ● ● ▲ CB FB: Rubinetteria bordo vasca ■ ■</p>
V	HZ	KW	A									
220/240	50/60	0,78	4,5									
Ⓒ	WATER SYSTEM SPECIFICATION	POWER SYSTEM SPECIFICATION	CONDITION REQUIRED BEFORE THE INSTALLATION	TAPS COMBINATION								
<p>N.B. THE INSTALLATION MUST BE CARRIED OUT WITH FLOOR AND WALLS ALRESDY TILED</p> <p>Net weight: Kg 55 total weight with package: Kg 62 Volume with package: m³ = 0,936 Water capacity: Lt 130</p>	<p>Numero jets: 6</p>	<table border="1"> <tr> <td>V</td> <td>HZ</td> <td>KW</td> <td>A</td> </tr> <tr> <td>220/240</td> <td>50/60</td> <td>0,78</td> <td>4,5</td> </tr> </table>	V	HZ	KW	A	220/240	50/60	0,78	4,5	<p>C : Wall taps outlet for hot water: 1/2" F : Wall taps outlet for cold water: 1/2" CB : Bath edge taps outlet for hot water: 1/2" FB : Bath edge taps outlet for cold water: 1/2" T : Single outlet for mixed water to supply by overflowing: 1/2" S : Drainage outlet installed in the floor: 1-1/2" E : Power outlet for the wirpool (cabling press box PG 11): IPX5</p>	<p>C F : Wall taps ● ● CFT: Wall taps with water supply by overflowing ● ● ▲ CB FB: Bath edge taps ■ ■</p>
V	HZ	KW	A									
220/240	50/60	0,78	4,5									